



Architectural Aluminium Systems.

"Committed to building excellence"



ATD-70 Bi-Fold Door

Scope

The Altec ATD-70 Bi-fold door range offers a wide and diverse choice of profiles and thresholds that provide the highest quality aluminium doors with optimum weather performance, thermal enhancement and security.

The versatile folding door system can achieve every conceivable configuration achievable up to a maximum 7 left or 7 right, or split combinations to create a wide opening. Doors can be open-in or open-out.

Attractive slim profiles ensure maximum glazing "sight lines".

The use of a 30mm wide polyamide thermal barrier achieves U-values as low as 1.5 W/m²K ⁽¹⁾.

Smooth running rollers can carry over-sized door leaves up to 120Kg, 1200mm wide and 3000mm high.

ATD-70 thermal doors conform to the latest standards BS 6375 Part 1:2009 (Weather Testing). PAS 24:2012 (Enhanced Security Performance Requirements for Door sets and Windows) and Document "Q" compliant.

Adjustable jamb profile for ease of manufacture

Multi-locking and shoot bolts are available on single point handle.

Specially designed for residential, hospitality and retail applications.

Fully compatible with the complete range of Altec's other glazing systems.



Performance & Product Key Features

Leaf size	Maximum Weight 120Kg per door leaf. Maximum Height 3000mm Maximum Width 1200mm
U Value	1.7W/m ² K depending on configuration and glass specification. ⁽¹⁾
Document Q	Compliant
Security	PAS 24:2012. Enhanced Security Performance as generally accepted by Secure by Design Projects.
Weather	BS 6375 Part 1: 2009
Air	Class 4, 600Pa
Water	Class 9A, 600Pa
Wind	Class A3, 1200Pa
Construction.	Can be fabricated by traditional crimping or mechanical corner joints.
Finish	Single or Dual colour, Polyester powder coating to 60-80 microns. Marine grade available. ⁽²⁾
Glazing.	28 to 35mm Double / Triple glazed units can be incorporated.
Options	Multiple threshold options. Adjustable jamb options for ease of fabrication.
Frame Depth	73mm
Sustainability	The ATD-70 aluminium profiles are 100% recyclable and can be recycled an infinite number of times with no loss in its capability.
Hardware	Bespoke heavy duty roller and track is provided as standard resulting in a high performance ultra smooth running action. Multi-point locking and concealed shoot bolts for added security.
Ventilation.	Slimline trickle ventilation can be fitted to comply with current regulations.



Doorset Combinations

Product codes are a simple way to specify the layout of the required door arrangement. Note - 'Handing' is as viewed from the outside of the property.

1. State the number of LEFT HAND panels first i.e. 2L, 3L, 4L etc.
 2. Then state the number of RIGHT HAND panels i.e. 2L1R, 3L3R, 4L3R etc.
 3. Finally add the direction the doors are to open - INWARD or OUTWARD i.e. 2L1RI or 2L1RO.
- Opening outward installation layouts are shown below and for open in replace the "O" with an "I"

Number of Panels

Open Out Door Set Combinations

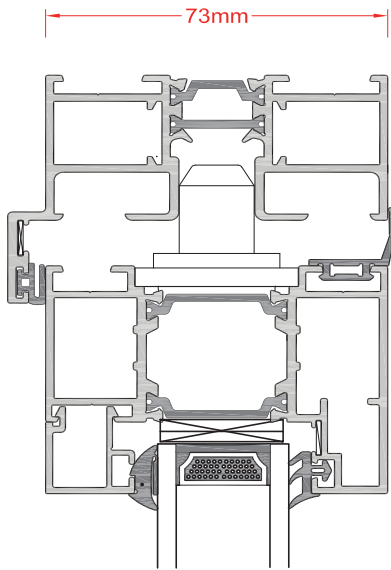
1 + 2 + 3					
4					
5					
6					
7					
8					
9					
10					
11					
12					
13					
14					

* PLEASE NOTE THAT BECAUSE OF INERTIA WE DO NOT RECOMMEND STACKING PANELS OF MORE THAN 7 IN EITHER DIRECTION

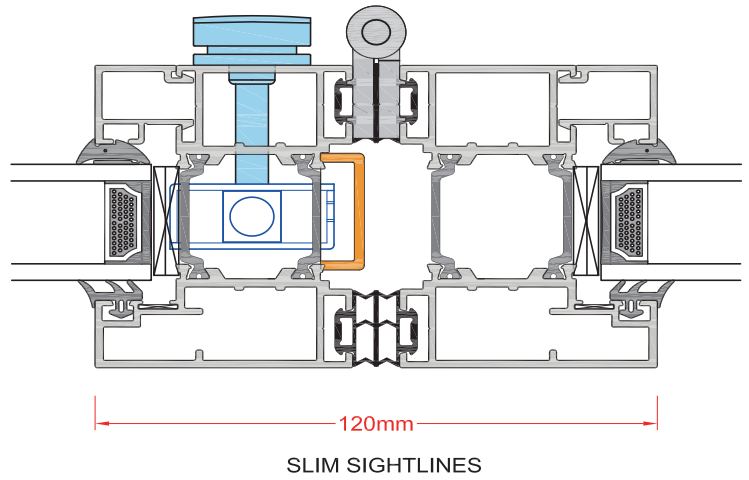


CROSS SECTION DETAILS

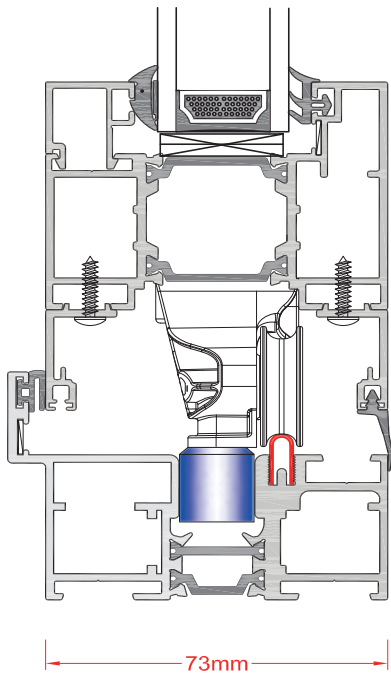
HEAD DETAIL



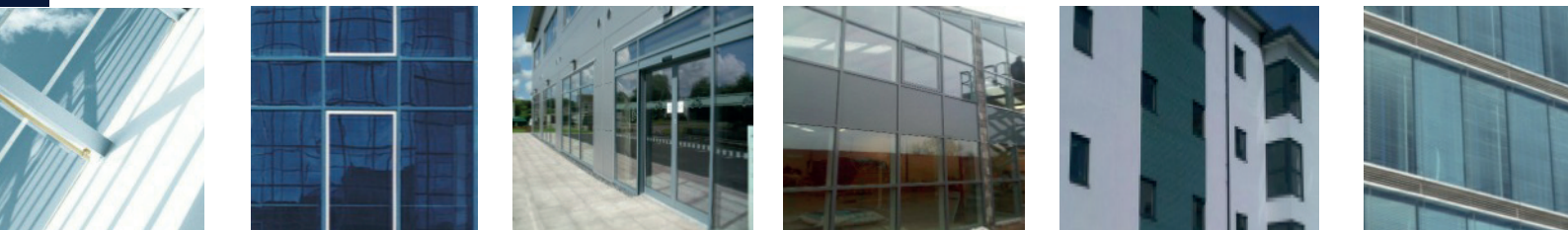
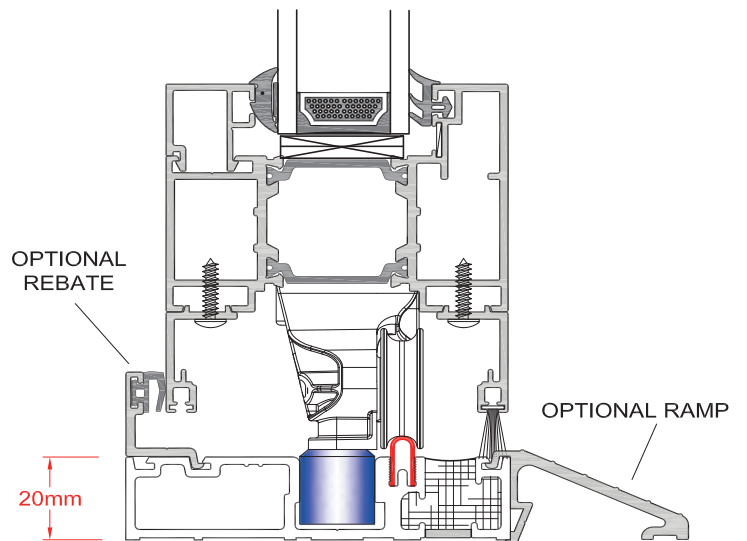
INTERMEDIATE DETAIL INTEGRATED LOCK



STANDARD THRESHOLD DETAIL



LOW THRESHOLD DETAIL



Altec 'Architectural Aluminium' Systems Ltd

Powys House, Bailey Court, Felinfach, Swansea West Business Park, Swansea, SA5 4DE.

Telephone: +44 (0) 1656 611010

sales@altecsystems.co.uk

www.altecsystems.co.uk

Architectural